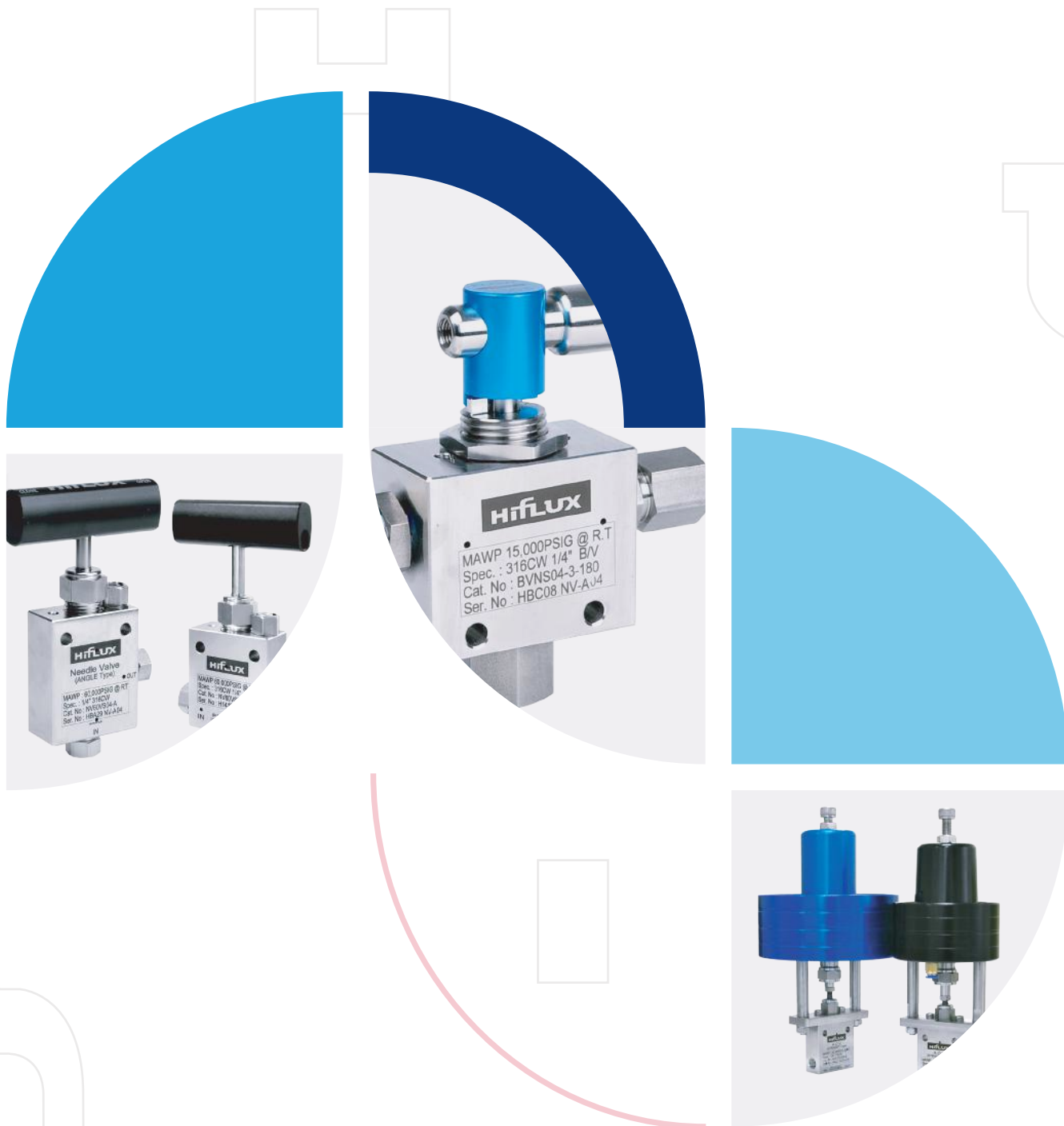


HIFLUX

High Pressure Valves & Fittings



HIFLUX is based on the accumulated precision engineering & technological know-hows, high pressure equipment, required for plant valve, fitting, pressure regulator etc., manufacturing and sells.

**HIGH SERVICE
HIGH QUALITY
HIGH PERFORMANCE!**

High Pressure equipment



CEO'S Message



Based on years of sophisticated engineering technology, Hiflux has been working hard to localize high-temperature, high-pressure industries and open new markets and developed a range of high-pressure products to meet the needs of our customers through constant research and facility investment.

Our products are applied to general pressure to special industry applications which require up to 150,000psig ultra high pressure.

In order to become a global leader in ultra-high pressure, We will do our best to become 'HIFLUX' a company that listens carefully to customers and consistently improves products and service and contributes to enhancing quality and productivity in order to develop and grow together with our customers. Thank you.

CEO *Kim Hyeon-hyo*

HIGH PRESSURE HISTORY

PASSION FOR THE FUTURE, CONSTANT CHALLENGE AND INNOVATION

Our company has been recognized for its technology by succeeding in various localization of high-pressure instruments which are difficult to manufacture in Korea through continuous research and development and facility investment for new market exploration in ultra-high pressure instruments material field. Based on technology and price competitiveness differentiated from overseas manufacturers such as Europe and USA, we are growing into a global brand by supplying domestic OEM and supplying OEM with overseas Global Waterjet manufacturer.



DEVELOP VARIOUS HIGH PRESSURE VALVES EXPAND OVERSEAS MARKET

- Signed supply contract with Denmark and France.
- Development of High Pressure Bleed Valve, Wellhead Gauge Valve, Double Block & Bleed Valve.
- Development of high pressure ball valve 2Way / 3Way Trunnion Ball Valve.
- Development of high pressure relief valve (factory set, field adjustable, proportional type).
- Development of high pressure needle valve 3way 2stem valve.
- Signed OEM supply contract with Global Waterjet Pump manufacturer in China and Austria.
- Russia and Singapore signed contract for supply of goods.



Certificate of patent
10-2136732



Certificate of patent
10-2103737



Certificate of patent
10-2080599



Certificate of patent
10-2080603



Certificate of patent
10-2225407



Certificate of patent
10-1151733



Certificate of patent
10-2290368



ISO 9000



ISO 14001



European Integrated
Standard Certification(CE)
(Needle Valve)



European Integrated
Standard Certification(CE)
(Relief Valve 3 Types)



Research Laboratory
Certification



Venture Company
Confirmation



Trademark
(HIFLUX)

OPENING THE ONLINE MARKET PARTICIPATING IN THE DOMESTIC AND OVERSEAS FAIR

- Participated in Valve World EXPO & CONFERENCE exhibition in USA and China.
- Participated in China International Petrochemical Technology Exhibition (Cippe).
- Participated in international parts and materials industry exhibition / International nanotechnology exhibition / International marine plant exhibition every year.
- Join Open Market(Auction, Gmarket, 11st, Naver Shopping, wemakeprice, SSG.COM, ebay).
- Opened 'HIFLUX Shopping Mall' for the first time in the high pressure piping materials industry.



ESTABLISHED R & D CENTER HIGH PRESSURE TECHNOLOGY LOCALIZATION

- Transfer of head office and factory to Daedeok Techno Valley.
- Acquiring 'Venture Company Certification'.
- Acquired European Integrated Standard Certification CE (Relief Valve 3 Types)
- Acquired European Integrated Standard Certification CE (Needle Valve).
- Acquired ISO 9001, ISO 14001 certification.
- Trademark Registration 'HIFLUX, FLUXLOK'.
- Patent Registration (7 types of high pressure valves).
- Establishment and certification of affiliated research institute.

Catalog Numbering System



Simply indicate catalog number and specify option or special requirement

NV	60	V	S	06	A
----	----	---	---	----	---

Product Value	Pressure	Type of Components	Material	Tube Size	Options
NV : Needle Valve	03 : 3,000psi	Needle Valve V : Vee Stem R : Regulating Stem	S : Stainless steel 316	02 : 1/8"	Needle Valve Control Valve Air Operated Valve
CV : Check Valve	07 : 7,500psi	Check Valve O : O-Ring Type B : Ball Type	H : Hastelloy	04 : 1/4"	S : Straight Type A : Angle Type O : 3way/1on pressure Type T : 3way/2on pressure Type
BV : Ball Valve	15 : Sleeve Type Refer to Valve Select	Ball Valve 03 : Orifice 4.8mm 05 : Orifice 8mm	HC : Hastelloy C276 wetted part	06 : 3/8"	
AOV : Air Operated Valve	20 : 20,000psi	Control Valve Air Operated Valve O : Normal-Open Type C : Normal-Closed Type	IN : Inconel 600	08 : 1/2"	Ball Valve 2-90 : 2WAY 3-180 : 3WAY Switching Type 3-90 : 3WAY Diverting Type
CON : Control Valve	30 : 30,000psi	Relief Valve FS : Factory Set FA : Field Adjustable PP : Proportional Type	IN625 : Inconel 625	09 : 9/16"	Fitting Accessory AV : Anti-Vibration Type
GV : Wellhead Gauge Valve	60 : 60,000psi	Fitting E : Elbow Type T : Tee Type C : Cross Type	IN825 : Inconel 825	12 : 3/4"	
BLV : Bleed Valve	100 : 100,000psi		NI : Nickel 200	16 : 1"	GPR N : Normal Type P : Panel Type
DBBV : Double Block & Bleed Valve	150 : 150,000psi		TI : Titanium	15 : 15A 25 : 25A	
RV : Relief Valve					
FT : Fitting					
FA : Fitting Accessory					
MF : Manifold Block					
T : Tube					
N : Nipple					
GPR : General Pressure Regulator					
HPR : High Pressure Regulator					
BPR : Back Pressure Regulator					
AD : Adapter					
TS : Tube Support					

※ Catalog number can be changed without any notification

Example

- NV60VS06-A : Needle Valve, 60,000psi, Vee Stem, 3/8", Angle Type.
- NV15VS04-O : Needle Valve, 15,000psi, Vee Stem, 1/4", 3Way/1on Pressure Type.
- CON07CS15-S : Control Valve, 7,500psi, Normal-Closed, 15A, Straight Type.
- AOV60CS04-A : Air Operated Valve, 60,000psi, Normal-Closed, 1/4", Angle Type.
- FT60ES06 : Fitting, 60,000psi, Elbow Type, 3/8".
- FA60GS04-AV : Fitting Accessory, 60,000psi, Gland, 1/4", Anti-Vibration Type.

01. High Pressure Needle Valve

Control and open/close the flow, Manual valve



Needle valve is a hand-operated valve to control the flux of oil or gas according to the degree by which the stem is blocking the passage of oil or gas, or it can be used to open or close the flow of oil gas. Needle valve is remarkably safe and is highly resistant to corrosion because it was designed and manufactured by taking into account the features of oil and gas and used pressure and at different temperatures. The life of this product has been lengthened by preventing the stem's galling as much as possible.

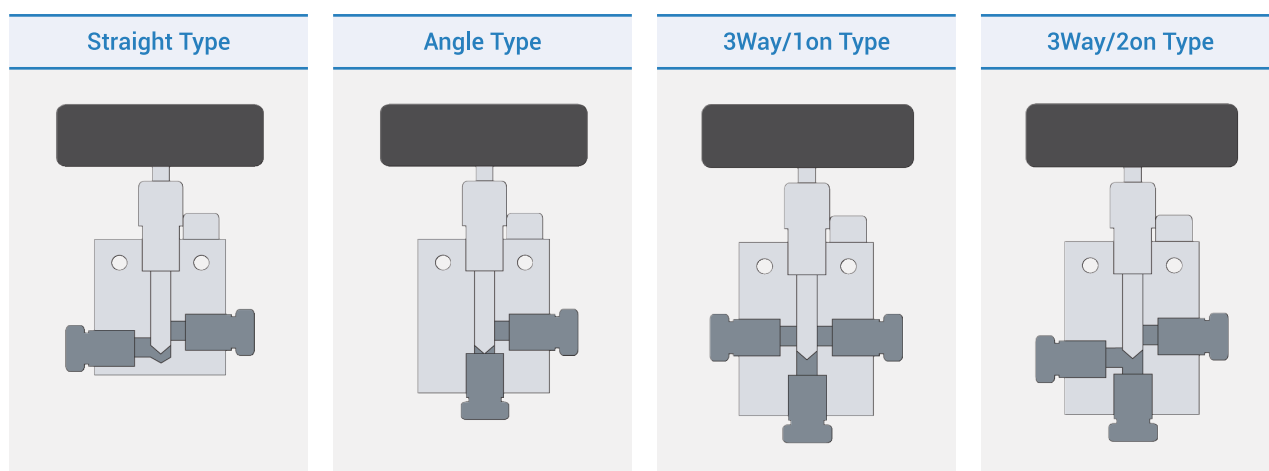
	Pressure	Tube Size	Cv	Stem Type	Body Type					
					Straight	Angle	3Way/1on	3Way/2on		
NVP~: PT Thread NVN~: NPT Thread	15,000 psi	1/8"		Vee	NVPVS02-S	NVNVS02-S	NVPVS02-A	NVNVS02-A		
				Reg	NVPRS02-S	NVNRS02-S	NVPRS02-A	NVNRS02-A		
		1/4"		Vee	NVPVS04-S	NVNVS04-S	NVPVS04-A	NVNVS04-A		
				Reg	NVPRS04-S	NVNRS04-S	NVPRS04-A	NVNRS04-A		
		3/8"		Vee	NVPVS06-S	NVNVS06-S	NVPVS06-A	NVNVS06-A		
				Reg	NVPRS06-S	NVNRS06-S	NVPRS06-A	NVNRS06-A		
	10,000 psi	1/2"		Vee	NVPVS08-S	NVNVS08-S	NVPVS08-A	NVNVS08-A		
				Reg	NVPRS08-S	NVNRS08-S	NVPRS08-A	NVNRS08-A		
		3/4"		Vee	NVPVS12-S	NVNVS12-S	NVPVS12-A	NVNVS12-A		
				Reg	NVPRS12-S	NVNRS12-S	NVPRS12-A	NVNRS12-A		
		1"		Vee	NVPVS16-S	NVNVS16-S	NVPVS16-A	NVNVS16-A		
				Reg	NVPRS16-S	NVNRS16-S	NVPRS16-A	NVNRS16-A		
Low Pressure	15,000 psi	1/8"	0.12	Vee	NV15VS02-S		NV15VS02-A	NV15VS02-O	NV15VS02-T	
				Reg	NV15RS02-S		NV15RS02-A	NV15RS02-O	NV15RS02-T	
		1/4"	0.20	Vee	NV15VS04-S		NV15VS04-A	NV15VS04-O	NV15VS04-T	
	Reg			NV15RS04-S		NV15RS04-A	NV15RS04-O	NV15RS04-T		
	10,000 psi	3/8"	0.20	Vee	NV15VS06-S		NV15VS06-A	NV15VS06-O	NV15VS06-T	
				Reg	NV15RS06-S		NV15RS06-A	NV15RS06-O	NV15RS06-T	
1/2"		1.62	Vee	NV10VS08-S		NV10VS08-A	NV10VS08-O	NV10VS08-T		
Reg	NV10RS08-S		NV10RS08-A	NV10RS08-O	NV10RS08-T					
Medium Pressure	20,000 psi	1/4"	0.31	Vee	NV20VS04-S		NV20VS04-A	NV20VS04-O	NV20VS04-T	
				Reg	NV20RS04-S		NV20RS04-A	NV20RS04-O	NV20RS04-T	
		3/8"	0.75	Vee	NV20VS06-S		NV20VS06-A	NV20VS06-O	NV20VS06-T	
				Reg	NV20RS06-S		NV20RS06-A	NV20RS06-O	NV20RS06-T	
		9/16"	1.30	Vee	NV20VS09-S		NV20VS09-A	NV20VS09-O	NV20VS09-T	
				Reg	NV20RS09-S		NV20RS09-A	NV20RS09-O	NV20RS09-T	
	3/4"	2.50	Vee	NV20VS12-S		NV20VS12-A	NV20VS12-O	NV20VS12-T		
			Reg	NV20RS12-S		NV20RS12-A	NV20RS12-O	NV20RS12-T		
	1"	4.40	Vee	NV20VS16-S		NV20VS16-A	NV20VS16-O	NV20VS16-T		
			Reg	NV20RS16-S		NV20RS16-A	NV20RS16-O	NV20RS16-T		
30,000 psi		1/4"	0.12	Vee	NV30VS04-S		NV30VS04-A	NV30VS04-O	NV30VS04-T	
				Reg	NV30RS04-S		NV30RS04-A	NV30RS04-O	NV30RS04-T	
60,000 psi	3/8"	0.2	Vee	NV30VS06-S		NV30VS06-A	NV30VS06-O	NV30VS06-T		
			Reg	NV30RS06-S		NV30RS06-A	NV30RS06-O	NV30RS06-T		
	9/16"	0.33	Vee	NV30VS09-S		NV30VS09-A	NV30VS09-O	NV30VS09-T		
			Reg	NV30RS09-S		NV30RS09-A	NV30RS09-O	NV30RS09-T		
	1/4"	0.08	Vee	NV60VS04-S		NV60VS04-A	NV60VS04-O	NV60VS04-T		
			Reg	NV60RS04-S		NV60RS04-A	NV60RS04-O	NV60RS04-T		
100,000 psi	1/4"	0.09	Vee	NV60VS06-S		NV60VS06-A	NV60VS06-O	NV60VS06-T		
			Reg	NV60RS06-S		NV60RS06-A	NV60RS06-O	NV60RS06-T		
	3/8"	0.14	Vee	NV60VS09-S		NV60VS09-A	NV60VS09-O	NV60VS09-T		
			Reg	NV60RS09-S		NV60RS09-A	NV60RS09-O	NV60RS09-T		
150,000 psi	1/4"	0.09	Vee	NV100VS04-S		NV100VS04-A	NV100VS04-O	NV100VS04-T		
			Reg	NV100RS04-S		NV100RS04-A	NV100RS04-O	NV100RS04-T		
	3/8"	0.06	Vee	NV150VS06-S		NV150VS06-A	NV150VS06-O	NV150VS06-T		
			Reg	NV150RS06-S		NV150RS06-A	NV150RS06-O	NV150RS06-T		

Features

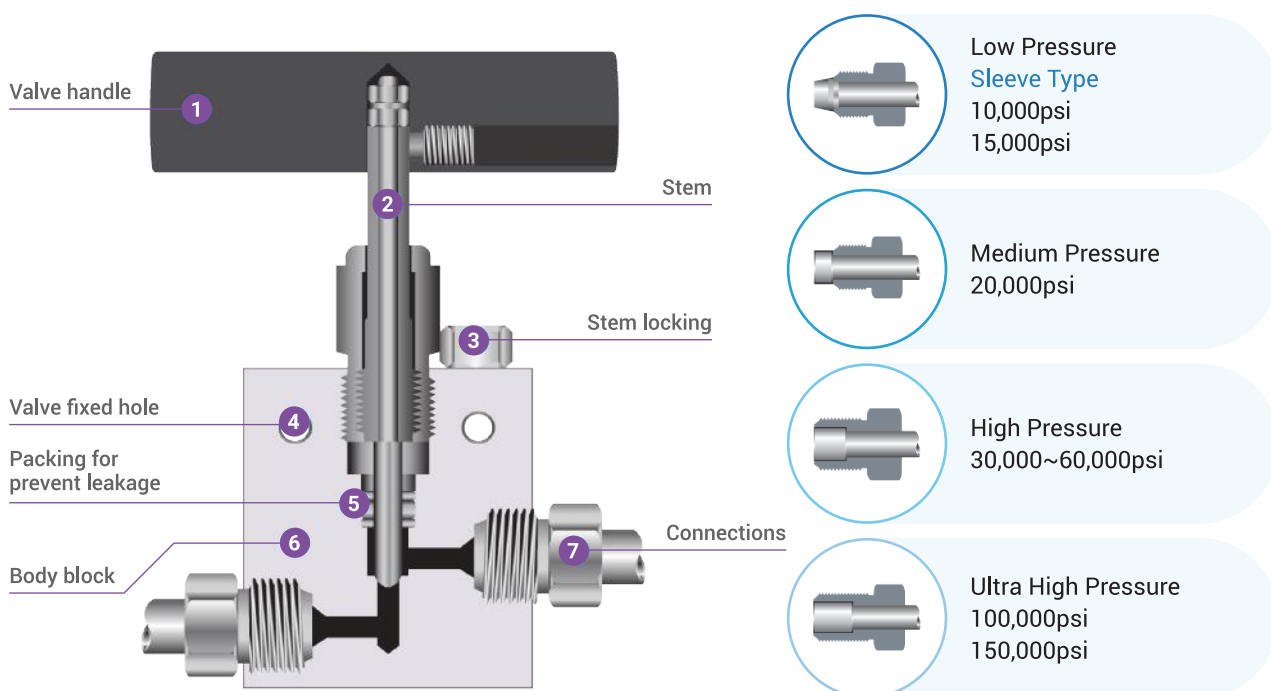
- 4 pattern Body Type. (Straight, Angle, 3Way/1on, 3Way/2on)
- Prevents galling due to the no-rotation stem.
- Packing designed for reliable sealing.
- Metal to metal seating type to lengthen the life of the seat.
- A valve using stainless steel 316 cold material for excellent corrosion resistant.
- 'Vee' or 'Regulating' stem for flow control and shut-off.



Body Type



Exploded View & Connection Components



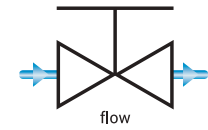
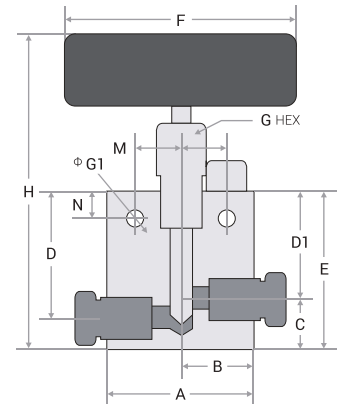
[Straight Type]

(Unit : mm)

Catalog No.	Stem	Pressure Rating	Port Type	Tube Size	Cv	Orifice Size	Dimensions													Block Thickness	
							A	B	C	D	D1	E	F	G	G1	H	M	N			
NV15VS02-S	Vee	15,000 psi	H1502	1/8"	0.12	1.4	38	19	22	30	23	45	50	13	5	85.6	12.8	8	20		
NV15RS02-S	Reg		H1504	1/4"	0.20	3.2	50	25	20	40	30	50	80	17	6.5	118.2	15.6	9.7	20		
NV15VS04-S	Vee		H1506	3/8"	0.20	3.2	50	25	20.5	40.3	29.5	50	80	17	6.5	119	15.7	9.7	20		
NV15RS04-S	Reg		H1008	1/2"	1.62	8.5	63	31.5	30.5	60.5	44.5	75	100	22	9	151.8	17.5	12.7	25		
NV15VS06-S	Vee		H2004	1/4"	0.31	3.2	50	25	20	40	30	50	80	17	6	118.2	15.7	9.7	20		
NV15RS06-S	Reg		H2006	3/8"	0.75	5.5	50	25	20	40	30	50	80	17	6	117.5	15.7	9.7	20		
NV10VS08-S	Vee	20,000 psi	H2009	9/16"	1.30	7.9	63	31.5	29	60	44	73	100	22	8	145	17.5	12.7	30		
NV10RS08-S	Reg		H2012	3/4"	2.50	11	76	38	38	76	57	95	253	30	10	177.8	23	15.8	35		
NV20VS04-S	Vee		H2016	1"	4.40	14.3	105	52.5	49	96	71	120	260	41	14	217.8	31.75	28.5	45		
NV20RS04-S	Reg		H3002	1/8"	0.03	1.6	38	19	22	30	23	45	50	13	5	82.2	12.75	8	20		
NV20VS06-S	Vee		H3004	1/4"	0.12	2.4	50	25	21	43	33	54	80	20	6.5	121.36	17	9.7	25		
NV20RS06-S	Reg		H3006	3/8"	0.2	3.2	50	25	24	43	33	57	80	20	6.5	124.4	17	9.7	25		
NV20VS09-S	Vee	30,000 psi	H3009	9/16"	0.33	3.2	67	33.5	29	43	33	62	80	20	6.5	130.3	17	9.7	38		
NV20RS09-S	Reg		H6004	1/4"	0.08	2	50	25	21	43	33	54	80	20	6.5	121.4	17	9.7	25		
NV60VS04-S	Vee		H6006	3/8"	0.09	2	50	25	24	43	33	57	80	20	6.5	124.9	17	9.7	25		
NV60RS04-S	Reg		H6009	9/16"	0.14	2	67	33.5	29	43	33	62	80	20	6.5	130	17	9.7	38		
NV60VS06-S	Vee		60,000 psi	H10004	1/4"	0.09	2	67	33.5	28.5	49	35	63.5	100	24	6	132.4	20	9.7	38	
NV60RS06-S	Reg			H15004	3/8"	0.06	1.6	85	42.5	27	43	35	62	100	24	6.5	130.3	20	12.7	38	
NV100VS04-S	Vee	100,000 psi		H15006	3/8"	0.06	1.6	85	42.5	27	43	35	62	100	24	6.5	130.3	20	12.7	38	
NV100RS04-S	Reg			150,000 psi	H15006	3/8"	0.06	1.6	85	42.5	27	43	35	62	100	24	6.5	130.3	20	12.7	38
NV150VS06-S	Vee																				
NV150RS06-S	Reg																				

- G : The main top of the hole size
- G1 : Hole size of the main positive
- H : Height of the valve is fully closed

As all sizes are for reference, they can be changed without any notification.
NPT, PT connections are available on request.
Please consult the authorized sales representative.



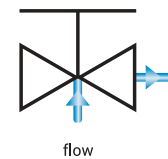
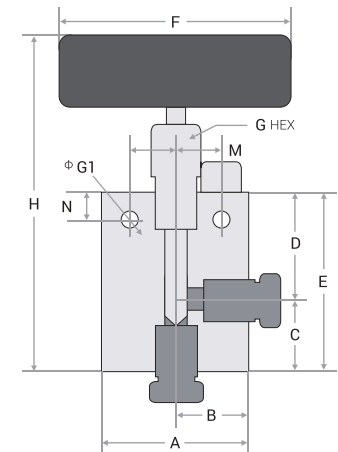
[Angle Type]

(Unit : mm)

Catalog No.	Stem	Pressure Rating	Port Type	Tube Size	Cv	Orifice Size	Dimensions													Block Thickness
							A	B	C	D	E	F	G	G1	H	M	N			
NV15VS02-A	Vee	15,000 psi	H1502	1/8"	0.12	1.4	38	19	22	23	45	50	13	5	82	12.8	8	20		
NV15RS02-A	Reg		H1504	1/4"	0.20	3.2	50	25	32	30	62	80	17	6	130.2	15.7	9.7	20		
NV15VS04-A	Vee		H1506	3/8"	0.20	3.2	50	25	32	30	62	80	17	6	131	15.7	9.7	20		
NV15RS04-A	Reg		H1008	1/2"	1.62	8.5	63	31.5	41.5	44.5	86	100	22	9	162.8	17.6	12.7	25		
NV15VS06-A	Vee		H2004	1/4"	0.31	3.2	50	25	32	30	62	80	17	6	130.2	15.7	9.7	20		
NV15RS06-A	Reg		H2006	3/8"	0.75	5.5	50	25	32	30	62	80	17	6	129.5	15.7	9.7	20		
NV10VS08-A	Vee	20,000 psi	H2009	9/16"	1.30	7.9	63	31.5	41.5	44	85.5	100	22	8	156.6	17.5	12.7	30		
NV10RS08-A	Reg		H3002	1/8"	0.03	1.6	38	19	22	23	45	50	13	5	86	12.75	8	20		
NV20VS04-A	Vee		H3004	1/4"	0.12	2.4	50	25	27.5	33	60.5	80	20	6.5	126.4	17	9.7	25		
NV20RS04-A	Reg		H3006	3/8"	0.2	3.2	50	25	33.5	33	66.5	80	20	6.5	133.9	17	9.7	25		
NV20VS06-A	Vee		30,000 psi	H3009	9/16"	0.33	3.2	67	33.5	34	33	67	80	20	6.5	133.8	17	9.7	38	
NV20RS06-A	Reg			H6004	1/4"	0.08	2	50	25	27.5	33	60.5	80	20	6.5	127.9	17	9.7	25	
NV30VS02-A	Vee	H6006		3/8"	0.09	2	50	25	33.5	33	66.5	80	20	6.5	134.4	17	9.7	25		
NV30RS02-A	Reg	H6009		9/16"	0.14	2	67	33.5	34	33	67	80	20	6.5	134.4	17	9.7	38		
NV30VS04-A	Vee	60,000 psi		H10004	1/4"	0.09	1.59	67	33.5	30.5	30	63.5	100	24	6.5	130.2	20	9.7	38	
NV30RS04-A	Reg			100,000 psi	H15004	3/8"	0.06	1.6	62	42.5	50	35	85	100	24	6.5	152.3	19	12.7	38
NV30VS06-A	Vee																			
NV30RS06-A	Reg																			
NV60VS04-A	Vee																			
NV60RS04-A	Reg																			
NV60VS06-A	Vee																			
NV60RS06-A	Reg																			
NV100VS04-A	Vee	150,000 psi	H15006	3/8"	0.06	1.6	62	42.5	50	35	85	100	24	6.5	152.3	19	12.7	38		
NV100RS04-A	Reg																			
NV150VS06-A	Vee																			
NV150RS06-A	Reg																			

- G : The main top of the hole size
- G1 : Hole size of the main positive
- H : Height of the valve is fully closed

As all sizes are for reference, they can be changed without any notification.
NPT, PT connections are available on request.
Please consult the authorized sales representative.



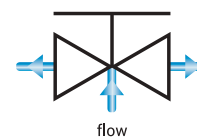
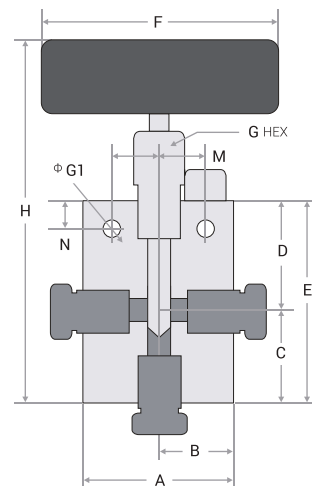
[3way/1on Type]

(Unit : mm)

Catalog No.	Stem	Pressure Rating	Port Type	Tube Size	Cv	Orifice Size	Dimensions											Block Thickness
							A	B	C	D	E	F	G	G1	H	M	N	
NV15VS02-O	Vee	15,000 psi	H1502	1/8"	0.12	1.4	38	19	22	23	45	50	13	5	82	12.8	8	20
NV15RS02-O	Reg		H1504	1/4"	0.20	3.2	50	25	32	30	62	80	17	6.5	130.2	15.6	9.7	20
NV15VS04-O	Vee		H1506	3/8"	0.20	3.2	50	25	32	30	62	80	17	6.5	128.9	15.7	9.7	20
NV15RS04-O	Reg		H1508	1/2"	1.62	8.5	63	31.5	41.5	44.5	86	100	24	9	162.8	17.5	12.7	25
NV20VS04-O	Vee	20,000 psi	H2004	1/4"	0.31	3.2	50	25	32	30	62	80	17	6	130.2	15.7	9.7	20
NV20RS04-O	Reg		H2006	3/8"	0.75	5.5	50	25	32	30	62	80	17	6.5	128.9	15.7	9.7	20
NV20VS06-O	Vee		H2009	9/16"	1.30	7.9	63	31.5	42	44	86	100	22	8	156.1	17.5	12.7	30
NV20RS06-O	Reg		H3002	1/8"	0.03	1.6	38	19	22	23	45	50	13	5	82.2	12.8	8	20
NV30VS02-O	Vee	30,000 psi	H3004	1/4"	0.12	2.4	50	25	27.5	33	60.5	80	20	6.5	126.4	17.2	9.7	25
NV30RS02-O	Reg		H3006	3/8"	0.2	3.2	50	25	34	33	67	80	20	6.5	126.4	17.2	9.7	25
NV30VS04-O	Vee		H3009	9/16"	0.33	3.2	67	33.5	38.5	33	71.5	80	20	6.5	130.3	17.2	9.7	38
NV30RS04-O	Reg		H6004	1/4"	0.08	2	50	25	27.5	33	60.5	80	20	6.5	127.9	17	9.7	25
NV60VS04-O	Vee	60,000 psi	H6006	3/8"	0.09	2	50	25	34	33	67	80	20	6.5	135.2	17	9.7	25
NV60RS04-O	Reg		H6009	9/16"	0.14	2	67	33.5	38.5	33	71.5	80	20	6.5	139.7	17	9.7	38
NV60VS06-O	Vee		H10004	1/4"	0.09	1.59	67	33.5	32	30	62	100	24	6.5	130.2	20	9.7	38
NV60RS06-O	Reg		H15006	3/8"	0.06	1.59	90	45	32	30	62	100	24	7	130.2	19	12.7	38
NV150RS06-O	Reg																	

- G : The main top of the hole size
- G1 : Hole size of the main positive
- H : Height of the valve is fully closed

As all sizes are for reference, they can be changed without any notification.
NPT, PT connections are available on request.
Please consult the authorized sales representative.



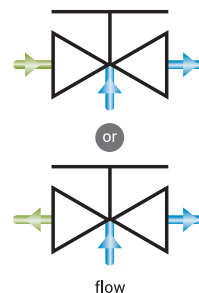
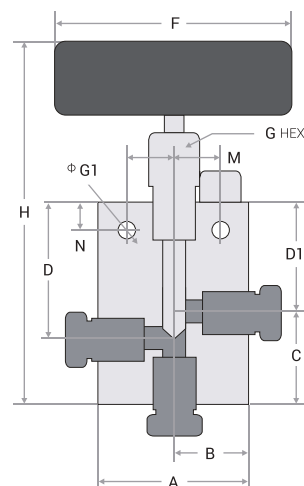
[3way/2on Type]

(Unit : mm)

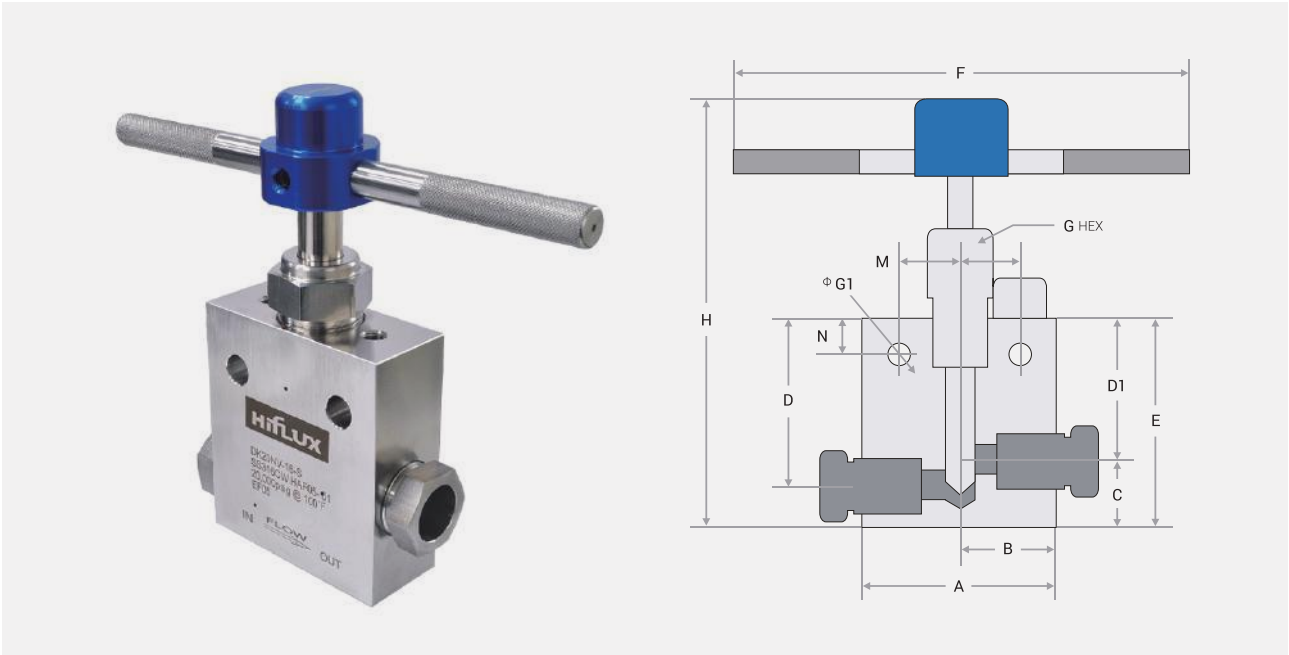
Catalog No.	Stem	Pressure Rating	Port Type	Tube Size	Cv	Orifice Size	Dimensions											Block Thickness	
							A	B	C	D	D1	E	F	G	G1	H	M		N
NV15VS02-T	Vee	15,000 psi	H1502	1/8"	0.12	1.4	38	19	22	30	23	45	50	13	5	82	12.8	8	20
NV15RS02-T	Reg		H1504	1/4"	0.20	3.2	50	25	36.5	40	30	66.5	80	17	6.5	134.8	15.7	9.7	20
NV15VS04-T	Vee		H1506	3/8"	0.20	3.2	50	25	36.5	41	30	66.5	80	17	6.5	133.3	15.7	9.7	20
NV15RS04-T	Reg		H1008	1/2"	1.62	8.5	63	31.5	47.5	60.5	44.5	92	100	24	9	168.8	17.5	12.7	25
NV20VS04-T	Vee	20,000 psi	H2004	1/4"	0.31	3.2	50	25	36.5	40	30	66.5	80	17	6.5	134.7	15.7	9.7	20
NV20RS04-T	Reg		H2006	3/8"	0.75	5.5	50	25	36.5	40	30	66.5	80	17	6.5	133.3	15.7	9.7	20
NV20VS06-T	Vee		H2009	9/16"	1.30	7.9	63	31.5	48	60	44	92	100	22	8	159.9	17.5	12.7	30
NV20RS06-T	Reg		H3002	1/8"	0.03	1.6	38	19	22	30	23	45	50	13	5	87.2	12.8	8	20
NV30VS02-T	Vee	30,000 psi	H3004	1/4"	0.12	2.4	50	25	27.2	43	33	60.5	80	20	6.5	126.4	17.2	9.7	25
NV30RS02-T	Reg		H3006	3/8"	0.2	3.2	50	25	38.5	43	33	71.5	80	20	6.5	138.3	17	9.7	25
NV30VS04-T	Vee		H3009	9/16"	0.33	3.2	67	33.5	44	43	33	77	80	20	6.5	145.3	17	9.7	38
NV30RS04-T	Reg		H6004	1/4"	0.08	2	50	25	27.2	43	33	60.5	80	20	6.5	127.9	17	9.7	25
NV60VS04-T	Vee	60,000 psi	H6006	3/8"	0.09	2	50	25	38.5	43	33	71.5	80	20	6.5	138.9	17	9.7	25
NV60RS04-T	Reg		H6009	9/16"	0.14	2	67	33.5	44	43	33	77	80	20	6.5	144.4	17	9.7	38
NV60VS06-T	Vee		H10004	1/4"	0.09	1.59	67	33.5	36.5	41	30	66.5	100	24	6.5	134.7	20	9.7	38
NV60RS06-T	Reg		H15006	3/8"	0.06	1.59	90	45	36.5	41	30	66.5	100	24	7	134.7	19	12.7	38
NV150RS06-T	Reg																		

- G : The main top of the hole size
- G1 : Hole size of the main positive
- H : Height of the valve is fully closed

As all sizes are for reference, they can be changed without any notification.
NPT, PT connections are available on request.
Please consult the authorized sales representative.



I Needle Valve - 3/4-1 inch



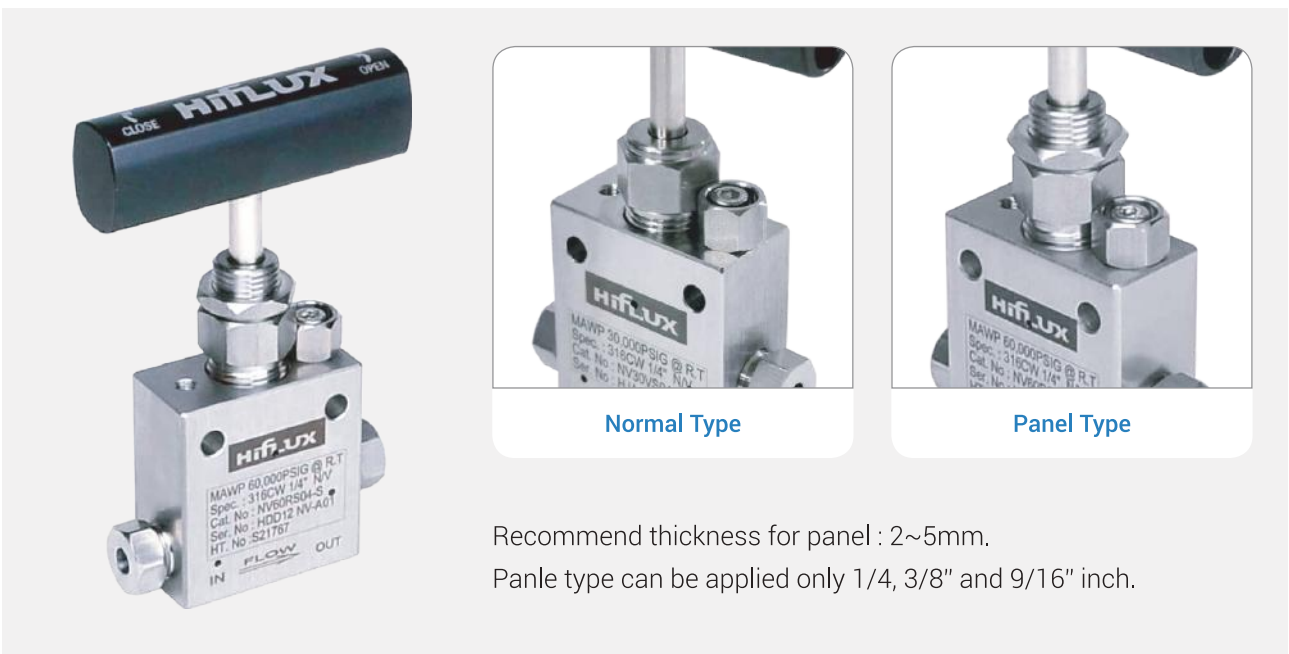
(Unit : mm)

Catalog No.	Stem	Pressure Rating	Port Type	Tube Size	Cv	Orifice Size	Dimensions											Block Thickness	
							A	B	C	D	D1	E	F	G	G1	H	M		N
NV20VS12-S	Vee	20,000 psi	H2012	3/4"	2.50	11	76	38	38	76	57	95	253	30	10	177.8	23	15.8	35
NV20RS12-S	Reg																		
NV20VS16-S	Vee		H2016	1"	4.40	14.3	105	52.5	49	96	71	120	260	41	14	217.8	31.75	28.5	
NV20RS16-S	Reg																		

- G : The main top of the hole size
- G1 : Hole size of the main positive
- H : Height of the valve is fully closed

As all sizes are for reference, they can be changed without any notification. NPT, PT connections are available on request. Please consult the authorized sales representative.

I Needle Valve - Panel Type



Normal Type



Panel Type

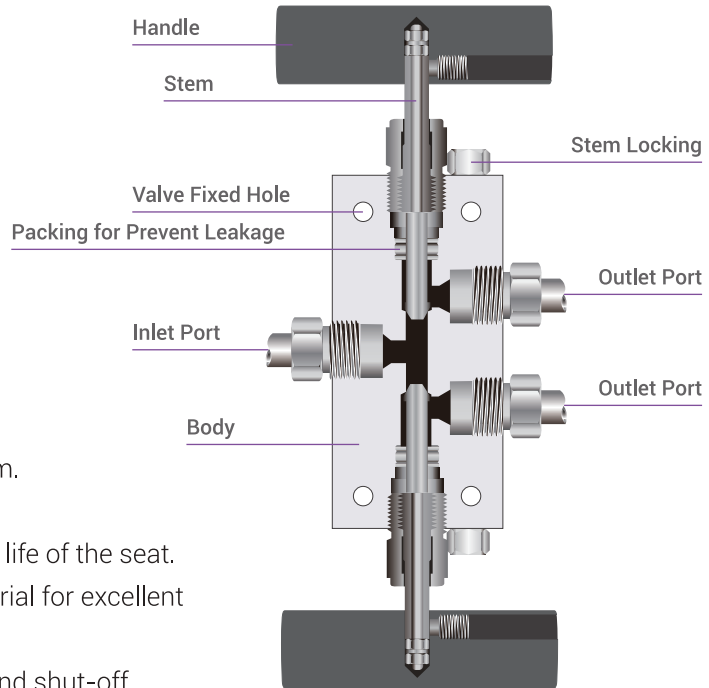
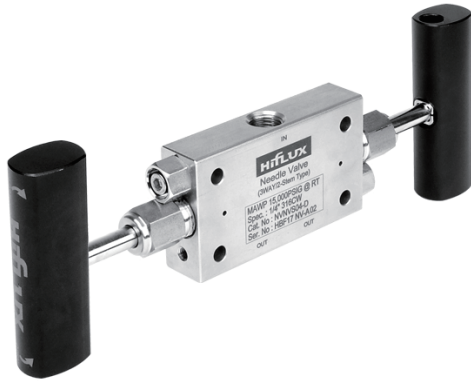
Recommend thickness for panel : 2~5mm.
 Panel type can be applied only 1/4, 3/8" and 9/16" inch.

02. 3way/2stem Needle Valve



Valves that allow adjustment of each of two outlets with one inlet

3way 2stem needle valve is slightly modified from the basic needle valve. It consists of two outlet ports and one inlet port and can be turn on or off each outlet port. It is installed two lines and uses one line. It can be used for by-pass during maintenance and equipment can be working continuously. It is divided by pressure and port size and can be used according to customer requirement specifications.

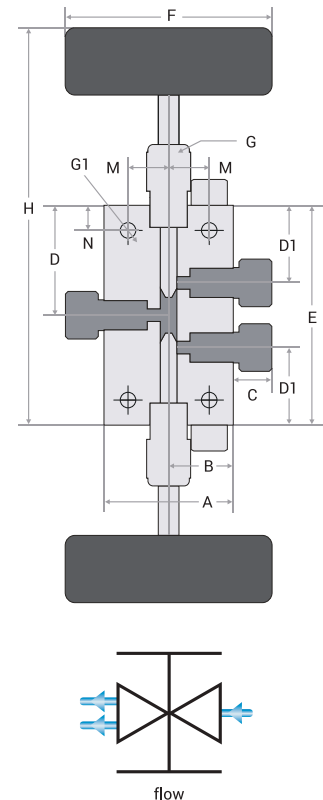


Features

- Prevents galling due to the no-rotation stem.
- Packing designed for reliable sealing.
- Metal to metal seating type to lengthen the life of the seat.
- A valve using stainless steel 316 cold material for excellent corrosion resistant.
- 'Vee' or 'Regulating' stem for flow control and shut-off.

(Unit : mm)

Catalog No.	Stem	Pressure Rating	Port Type	Tube Size	Orifice Size	Dimensions										Block Thickness		
						A	B	C	D	D1	E	F	G	G1	H		M	N
NV15VS02-D	Vee	15,000 psi	H1502	1/8"	2.39	38	19	11.7	28.5	20.5	57	50	13	5	94	12.8	8	20
NV15RS02-D	Reg		H1504	1/4"	3.18	51	25.5	12	43	27.7	86	80	17	6	154.2	15.6	9.7	20
NV15VS04-D	Vee		H1506	3/8"	3.18	51	25.5	14.3	43	27.7	86	80	17	6	152.9	15.7	9.7	20
NV15RS04-D	Reg		H1008	1/2"	8.5	63	31.5	19.6	65	44.5	130	100	22	9	200.51	17.5	12.7	25
NV15VS06-D	Vee	10,000 psi	H2004	1/4"	3.2	50	25	13.8	42.5	30	85	80	17	6	153.2	15.7	9.7	20
NV15RS06-D	Reg		H2006	3/8"	5.5	50	25	14.2	42.5	30	85	80	17	6	151.9	15.7	9.7	20
NV10VS08-D	Vee		H2009	9/16"	7.9	64	32	16	65	44.5	130	80	22	8	200.1	15.7	12.7	25
NV10RS08-D	Reg		H2012	3/4"	11.1	76	38	18	82.5	57	165	260	30	10	187.8	46	15.8	35
NV20VS04-D	Vee	20,000 psi	H2016	1"	14.3	105	52.5	22.1	95.5	71	191	260	41	14	290.8	63.5	28.5	45
NV20RS04-D	Reg		H3006	1/4"	2.4	51	25.5	9	43.5	33	87	80	20	6	147.9	17	9.7	25
NV20VS06-D	Vee		H3009	3/8"	3.2	51	25.5	14	47.5	33	95	80	20	6	153.6	17	9.7	25
NV20RS06-D	Reg		H6004	9/16"	3.2	67	33.5	21	52.5	33	105	80	20	6	173.3	17	9.7	38
NV20VS09-D	Vee	30,000 psi	H6006	1/4"	2	51	25.5	12.8	43.5	33	87	80	20	6	154.4	17	9.7	25
NV20RS09-D	Reg		H6009	3/8"	2	51	25.5	18.6	47.5	33	95	80	20	6	162.9	17	9.7	25
NV30VS04-D	Vee		H6009	9/16"	2	67	33.5	21.7	52.5	33	105	80	20	6	170.4	17	9.7	38
NV30RS04-D	Reg																	



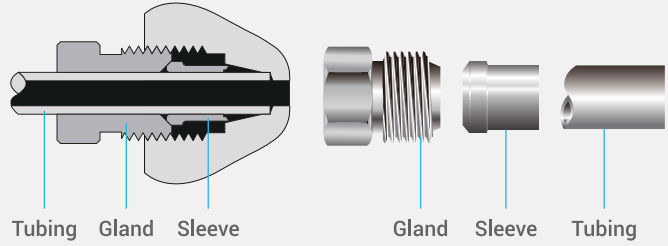
- G : The main top of the hole size
- G1 : Hole size of the main positive
- H : Height of the valve is fully closed

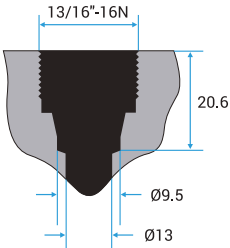
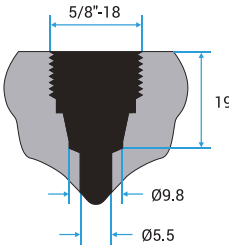
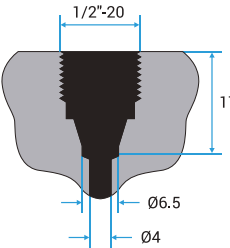
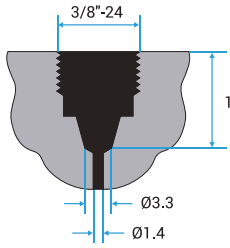
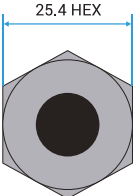
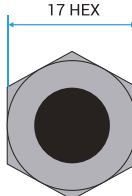
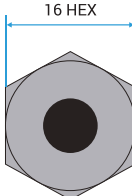
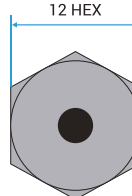
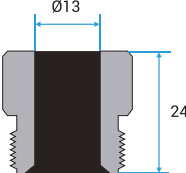
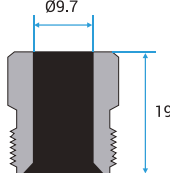
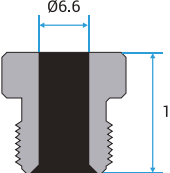
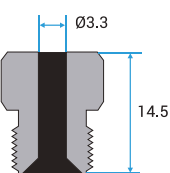
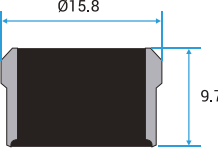
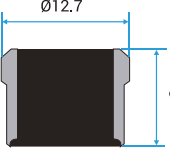
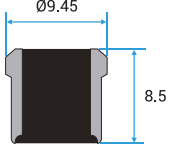
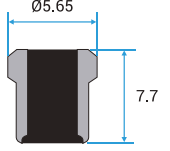
As all sizes are for reference, they can be changed without any notification.
NPT, PT connections are available on request.
Please consult the authorized sales representative.

Port Type Low Pressure Port Type

Sleeve Type Connections - 10,000 psi / 15,000 psi

Sleeve Type can be used in 1/8", 1/4", 3/8", 1/2" piping by fastening sleeve in gland. Tube required for connection between products can be ordered from Hiflux. Stainless steel material ensures optimum performance in high pressure environment.

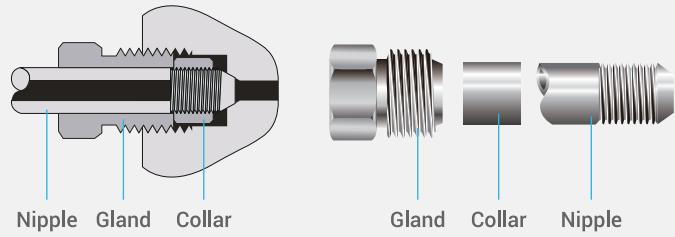


H1008 10,000psi - 1/2"	H1506 15,000psi - 3/8"	H1504 15,000psi - 1/4"	H1502 15,000psi - 1/8"
			
			
			
			

Port Type Medium Pressure Port Type

Medium Pressure Connections - 20,000 psi

The Nipple required for connection between the products by using Collar and Nipple in the Gland can be ordered by user's desired length. you can also process directly using our Tooling Set tool.

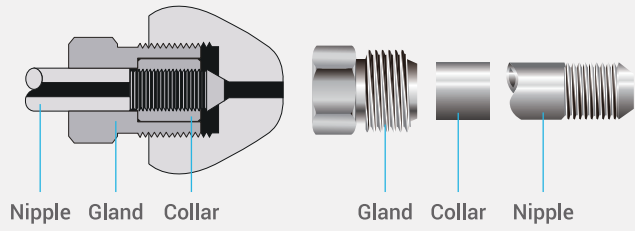


H2004 20,000psi - 1/4"	H2006 20,000psi - 3/8"	H2009 20,000psi - 9/16"	H2012 20,000psi - 3/4"	H2016 20,000psi - 1"

Port Type High Pressure Port Type

High Pressure Connections - 30,000 psi / 60,000 psi

The Nipple required for connection between the products by using Collar and Nipple in the Gland can be ordered by user's desired length. you can also process directly using our Tooling Set tool. This cone and threaded connection is the standard for easy and fast high-pressure equipment configuration with optimum sealing and reliable performance for both liquid and gas at high pressure and temperature.

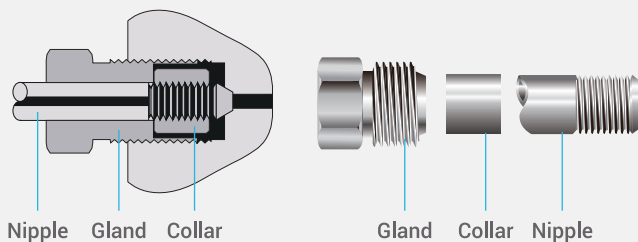


H3002 30,000psi - 1/8"	H3016 30,000psi - 1"	H6004 60,000psi - 1/4" (M : Metric)	H6006 60,000psi - 3/8" (M : Metric)	H6009 60,000psi - 9/16" (M : Metric)

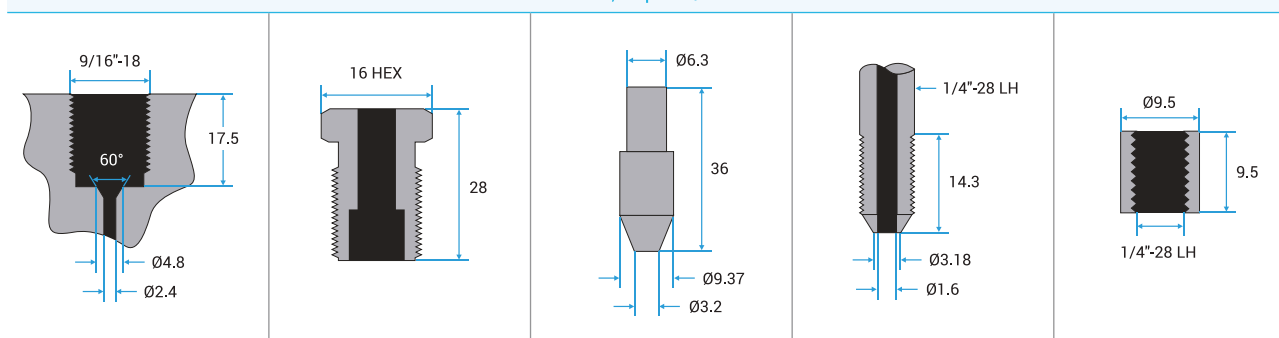
Port Type Ultra High Pressure Port Type

Ultra High Pressure Connections - 100,000 psi

The product is tightened with collar and nipple in Gland. The applicable pipe size is as follows. This cone and threaded connection is the standard for easy and fast high-pressure equipment configuration with optimum sealing and reliable performance for both liquid and gas at high pressure and temperature.



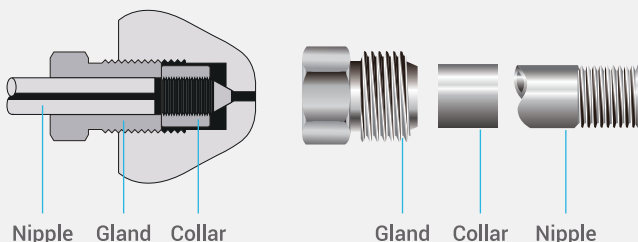
H10004 100,000psi - 1/4"



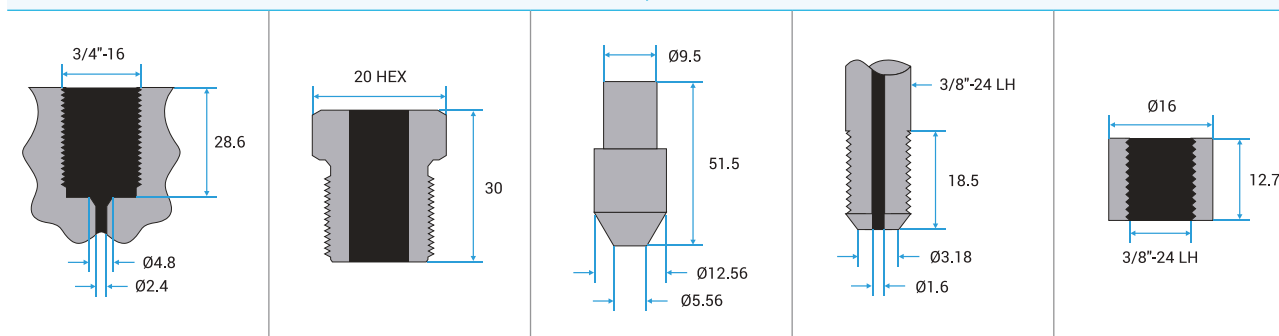
Port Type Ultra High Pressure Port Type

Ultra High Pressure Connections - 150,000 psi

The product is tightened with collar and nipple in Gland. The applicable pipe size is as follows. This cone and threaded connection is the standard for easy and fast high-pressure equipment configuration with optimum sealing and reliable performance for both liquid and gas at high pressure and temperature.



H15006 150,000psi - 3/8"

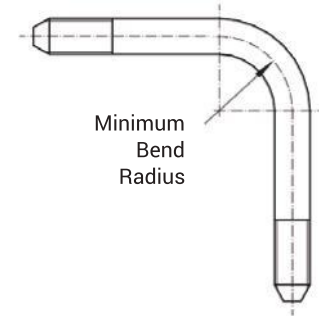


Technical Information Recommended Torque

[Recommended Minimum Bend Radius]

Tubing Size O.D. x I.D. in. (mm)	Tubing Pressure psi (bar) @ R.T.	Recommended Minimum Bend Radius in. (mm)
1/4 inch (6.35 x 2.77)	20,000 (1,370)	1.25 (31.8)
3/8 inch (9.53 x 5.16)	20,000 (1,370)	1.75 (44.5)
9/16 inch (14.29 x 7.92)	20,000 (1,370)	2.63 (66.8)
3/4 inch (19.05 x 11.13)	20,000 (1,370)	3.50 (88.9)
1 inch (25.4 x 14.27)	20,000 (1,370)	4.63 (117.6)
1 inch (25.4 x 11.13)	30,000 (2,060)	4.63 (117.6)
1/4 inch (6.35 x 2.11)	60,000 (4,130)	1.25 (31.8)
3/8 inch (9.53 x 3.18)	60,000 (4,130)	1.75 (44.5)
9/16 inch (14.29 x 4.78)	60,000 (4,130)	2.63 (66.8)

As all sizes are for reference, they can be changed without any notification.



HIFLUX - Recommended Torque (Valves Minimum Packing Stem Gland Torque)

Valve Pressure Series	Port Type	Tube Size (PSI)	Stem Gland HEX (mm)	Minimum Torque (kg.f-cm)
10,000 PSI 15,000 PSI	H1502	1/8 Inch (15,000)	13	170
	H1504	1/4 Inch (15,000)	17	550
	H1506	3/8 Inch (15,000)	17	550
	H1008	1/2 Inch (10,000)	24	800
20,000 PSI	H2004	1/4 Inch (20,000)	17	550
	H2006	3/8 Inch (20,000)	17	550
	H2009	9/16 Inch (20,000)	22	1100
	H2010	3/4 Inch (20,000)	30	3,500
	H2012	1 Inch (20,000)	41	5,000
30,000 PSI	H3002	1/8 Inch (30,000)	13	500
	H6004	1/4 Inch (30,000)	20	550
	H6006	3/8 Inch (30,000)	20	550
	H6009	9/16 Inch (30,000)	20	550
60,000 PSI	H6004	1/4 Inch (60,000)	20	670
	H6006	3/8 Inch (60,000)	20	670
	H6009	9/16 Inch (60,000)	20	670
100,000 PSI	H10004	1/4 Inch (100,000)	24	1250
150,000 PSI	H15006	3/8 Inch (150,000)	24	1870
10,000 & 15,000 PSI NPT TYPE	HFN02	1/8 Inch (15,000)	13	500
	HFN04	1/4 Inch (15,000)	17	550
	HFN06	3/8 Inch (15,000)	17	550
	HFN08	1/2 Inch (15,000)	22	1100
	HFN10	3/4 Inch (10,000)	41	-
	HFN12	1 Inch (10,000)	41	-

All dimensions and values are for reference only and subject to change.

HiFLUX[®]

HIFLUX Co., LTD

Address. 361-23, Gapcheon-ro, Yuseong-gu, Daejeon, 34037, Republic of Korea
Tel. +82-42-933-5670 Fax. +82-0303-0799-1241 E-mail. sales@hiflux.com
Web Site. www.hiflux.com Shopping Mall. www.hifluxshop.com