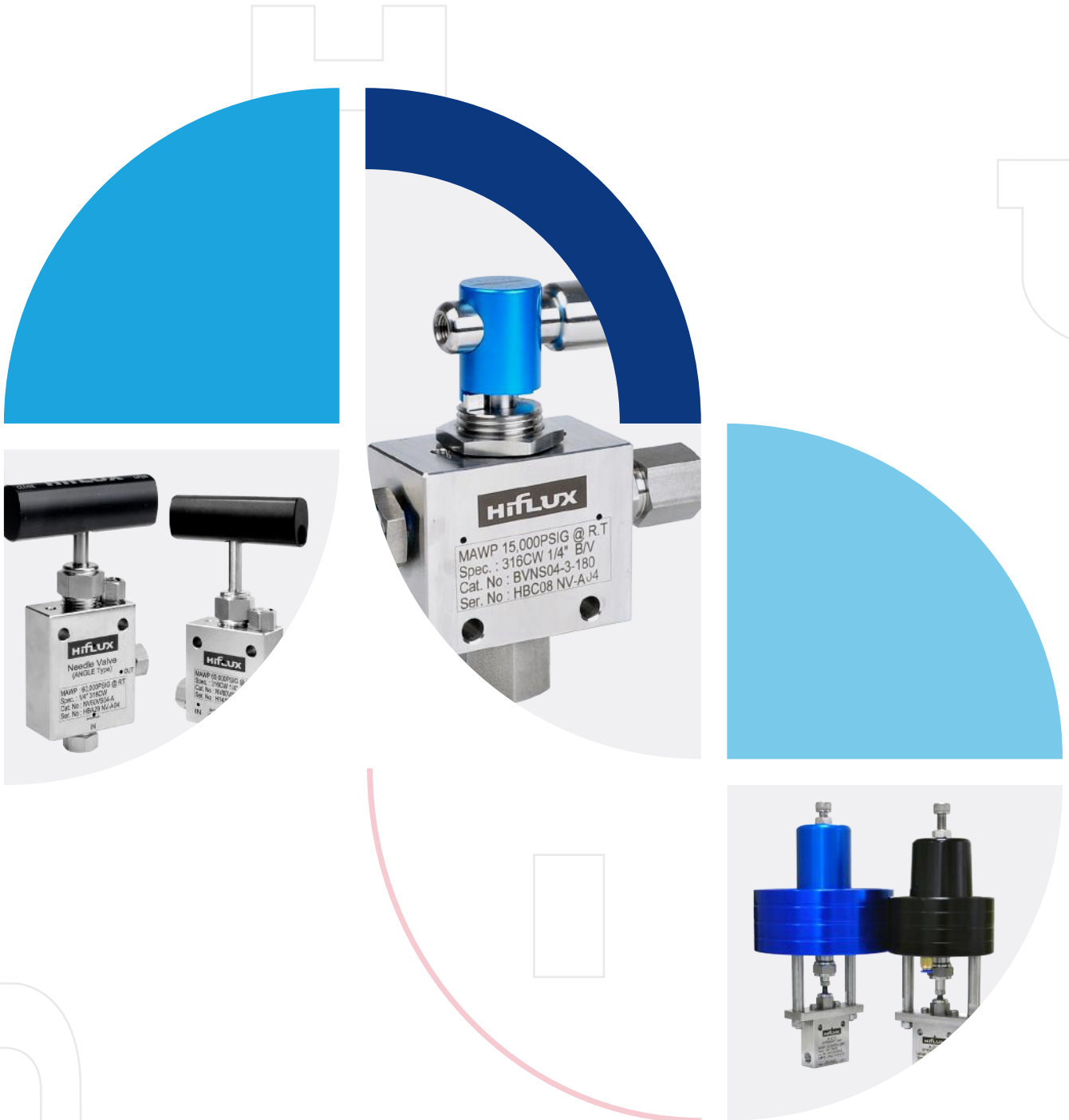


HIFLUX

High Pressure Valves & Fittings



HIFLUX is based on the accumulated precision engineering & technological know-hows, high pressure equipment, required for plant valve, fitting, pressure regulator etc., manufacturing and sells.



**HIGH SERVICE
HIGH QUALITY
HIGH PERFORMANCE!**

High Pressure equipment



CEO'S Message



Based on years of sophisticated engineering technology, Hiflux has been working hard to localize high-temperature, high-pressure industries and open new markets and developed a range of high-pressure products to meet the needs of our customers through constant research and facility investment.

Our products are applied to general pressure to special industry applications which require up to 150,000psig ultra high pressure.

In order to become a global leader in ultra-high pressure, We will do our best to become 'HIFLUX' a company that listens carefully to customers and consistently improves products and service and contributes to enhancing quality and productivity in order to develop and grow together with our customers. Thank you.

CEO ***Kim Hyeon-hyo***

HIGH PRESSURE HISTORY

PASSION FOR THE FUTURE, CONSTANT CHALLENGE AND INNOVATION

Our company has been recognized for its technology by succeeding in various localization of high-pressure instruments which are difficult to manufacture in Korea through continuous research and development and facility investment for new market exploration in ultra-high pressure instruments material field. Based on technology and price competitiveness differentiated from overseas manufacturers such as Europe and USA, we are growing into a global brand by supplying domestic OEM and supplying OEM with overseas Global Waterjet manufacturer.



DEVELOP VARIOUS HIGH PRESSURE VALVES EXPAND OVERSEAS MARKET

- Signed supply contract with Denmark and France.
- Development of High Pressure Bleed Valve, Wellhead Gauge Valve, Double Block & Bleed Valve.
- Development of high pressure ball valve 2Way / 3Way Trunnion Ball Valve.
- Development of high pressure relief valve (factory set, field adjustable, proportional type).
- Development of high pressure needle valve 3way 2stem valve.
- Signed OEM supply contract with Global Waterjet Pump manufacturer in China and Austria.
- Russia and Singapore signed contract for supply of goods.



Certificate of patent
10-2136732



Certificate of patent
10-2103737



Certificate of patent
10-2080599



Certificate of patent
10-2080603



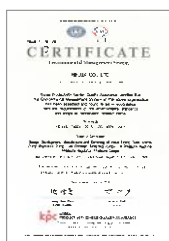
Certificate of patent
10-2225407



Certificate of patent
10-1151733



ISO 9000



ISO 14001



European Integrated
Standard Certification (CE)



Research laboratory
certification



Venture company
confirmation



Trademark
(HIFLUX)

OPENING THE ONLINE MARKET PARTICIPATING IN THE DOMESTIC AND OVERSEAS FAIR

- Participated in Valve World EXPO & CONFERENCE exhibition in USA and China.
- Participated in China International Petrochemical Technology Exhibition (Cippe).
- Participated in international parts and materials industry exhibition / International nanotechnology exhibition / International marine plant exhibition every year.
- Join Open Market(Auction, Gmarket, 11st, Naver Shopping, ebay).
- Opened 'HIFLUX Shopping Mall' for the first time in the high pressure piping materials industry.



ESTABLISHED R & D CENTER HIGH PRESSURE TECHNOLOGY LOCALIZATION

- Transfer of head office and factory to Daedeok Techno Valley.
- Acquiring 'Venture Company Certification'.
- Acquired European Integrated Standard Certification (CE).
- Acquired ISO 9001, ISO 14001 certification.
- Trademark Registration 'HIFLUX, FLUXLOK'.
- Patent Registration (7 types of high pressure valves).
- Establishment and certification of affiliated research institute.

Catalog Numbering System



Simply indicate catalog number and specify option or special requirement

NV	60	V	S	06	A
----	----	---	---	----	---

Product Value	Pressure	Type of Components	Material	Tube Size	Options
NV : Needle Valve CV : Check Valve BV : Ball Valve AOV : Air Operated Valve CON : Control Valve GV : Wellhead Gauge Valve BLV : Bleed Valve DBBV : Double Block & Bleed Valve RV : Relief Valve FT : Fitting FA : Fitting Accessory MF : Manifold Block T : Tube N : Nipple GPR : General Pressure Regulator HPR : High Pressure Regulator BPR : Back Pressure Regulator AD : Adapter TS : Tube Support	03 : 3,000psi 07 : 7,500psi 15 : Sleeve Type Refer to Valve Select 20 : 20,000psi 30 : 30,000psi 60 : 60,000psi 100 : 100,000psi 150 : 150,000psi	Needle Valve V : Vee Stem R : Regulating Stem Check Valve O : O-Ring Type B : Ball Type Ball Valve 03 : Orifice 4.8mm 05 : Orifice 8mm Control Valve Air Operated Valve O : Normal-Open Type C : Normal-Closed Type Relief Valve FS : Factory Set FA : Field Adjustable PP : Proportional Type Fitting E : Elbow Type T : Tee Type C : Cross Type Fitting Accessory A : Adapter (20,000psi용) S : Sleeve (저압용) G : Gland R : Collar T : Collet	S : Stainless steel 316 H : Hastelloy HC : Hastelloy C276 wetted part IN : Inconel 600 IN625 : Inconel 625 NI : Nickel 200 TI : Titanium	02 : 1/8" 04 : 1/4" 06 : 3/8" 08 : 1/2" 09 : 9/16" 12 : 3/4" 16 : 1" 15 : 15A 25 : 25A	Needle Valve Control Valve Air Operated Valve S : Straight Type A : Angle Type O : 3way/1on pressure Type T : 3way/2on pressure Type Ball Valve 2-90 : 2WAY 3-180 : 3WAY Switching Type 3-90 : 3WAY Diverting Type Fitting Accessory AV : Anti-Vibration Type GPR N : Normal Type P : Panel Type

※ Catalog number can be changed without any notification

Example

- NV60VS06-A : Needle Valve, 60,000psi, Vee Stem, 3/8", Angle Type.
- NV15VS04-O : Needle Valve, 15,000psi, Vee Stem, 1/4", 3Way/1on Pressure Type.
- CON07CS15-S : Control Valve, 7,500psi, Normal-Closed, 15A, Straight Type.
- AOV60CS04-A : Air Operated Valve, 60,000psi, Normal-Closed, 1/4", Angle Type.
- FT60ES06 : Fitting, 60,000psi, Elbow Type, 3/8".
- FA60GS04-AV : Fitting Accessory, 60,000psi, Gland, 1/4", Anti-Vibration Type.

04. High Pressure Fitting



Fitting & accessory used simple structure design and wear resistant material for high pressure connection



Features

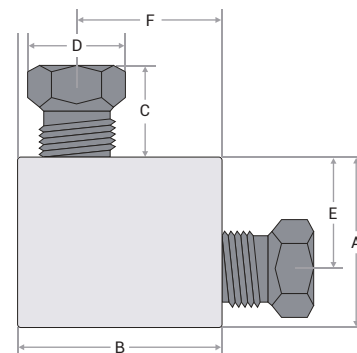
- 3 patterns body types. (Elbow, Tee, Cross Type)
- A valve using stainless steel 316 cold material for excellent corrosion resistant.
- Cone and thread connection is strong in relation to water leaks even when using gas and liquid.
- The operation temperature ranges from -423°F (-252°C) to 1200°F (649°C).
- Fitting is used for connecting tubes at high pressure and has a high-flow property and diverse sized orifice according to pressure.
- Various orifice sizes with 150,000psi maximum pressure.

Pressure Rating	Tube Size	Fitting			Fitting Accessory		
		Elbow	Tee	Cross	Gland	Sleeve	Collar
15,000 psi	1/8"	FT15ES02	FT15TS02	FT15CS02	FA15GS02	FA15SS02	
	1/4"	FT15ES04	FT15TS04	FT15CS04	FA15GS04	FA15SS04	
	3/8"	FT15ES06	FT15TS06	FT15CS06	FA15GS06	FA15SS06	
10,000 psi	1/2"	FT10ES08	FT10TS08	FT10CS08	FA10GS08	FA10SS08	
20,000 psi	1/4"	FT20ES04	FT20TS04	FT20CS04	FA20GS04		FA20RS04
	3/8"	FT20ES06	FT20TS06	FT20CS06	FA20GS06		FA20RS06
	9/16"	FT20ES09	FT20TS09	FT20CS09	FA20GS09		FA20RS09
	3/4"	FT20ES12	FT20TS12	FT20CS12	FA20GS12		FA20RS12
30,000 psi	1"	FT20ES16	FT20TS16	FT20CS16	FA20GS16		FA20RS16
	1/8"	FT30ES02	FT30TS02	FT30CS02	FA30GS02		FA30RS02
	1"	FT30ES16	FT30TS16	FT30CS16	FA30GS16		FA30RS16
60,000 psi	1/4"	FT60ES04	FT60TS04	FT60CS04	FA60GS04		FA60RS04
	3/8"	FT60ES06	FT60TS06	FT60CS06	FA60GS06		FA60RS06
	9/16"	FT60ES09	FT60TS09	FT60CS09	FA60GS09		FA60RS09
100,000 psi	1/4"	FT100ES04	FT100TS04	FT100CS04	FA100GS04		FA100RS04
150,000 psi	3/8"	FT150ES06	FT150TS06	FT150CS06	FA150GS06		FA150RS06
Anti-Vibration		Elbow	Tee	Cross	Gland	Collar	Collet
20,000 psi	1/4"	FT20ES04-AV	FT20TS04-AV	FT20CS04-AV	FA20GS04-AV	FA20RS04-AV	FA20TS04-AV
	3/8"	FT20ES06-AV	FT20TS06-AV	FT20CS06-AV	FA20GS06-AV	FA20RS06-AV	FA20TS06-AV
	9/16"	FT20ES09-AV	FT20TS09-AV	FT20CS09-AV	FA20GS09-AV	FA20RS09-AV	FA20TS09-AV
	3/4"	FT20ES12-AV	FT20TS12-AV	FT20CS12-AV	FA20GS12-AV	FA20RS12-AV	FA20TS12-AV
60,000 psi	1"	FT20ES16-AV	FT20TS16-AV	FT20CS16-AV	FA20GS16-AV	FA20RS16-AV	FA20TS16-AV
	1/4"	FT60ES04-AV	FT60TS04-AV	FT60CS04-AV	FA60GS04-AV	FA60RS04-AV	FA60TS04-AV
	3/8"	FT60ES06-AV	FT60TS06-AV	FT60CS06-AV	FA60GS06-AV	FA60RS06-AV	FA60TS06-AV
	9/16"	FT60ES09-AV	FT60TS09-AV	FT60CS09-AV	FA60GS09-AV	FA60RS09-AV	FA60TS09-AV

[Elbow Type]

(Unit : mm)

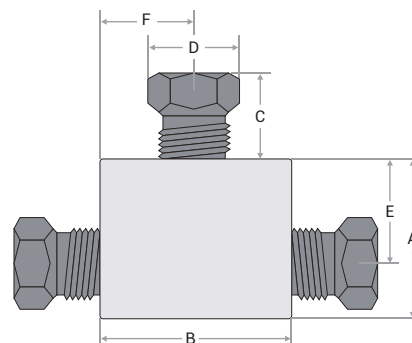
Catalog No.	Pressure Rating	Port Type	Tube Size	Orifice Size	Dimensions						Block Thickness
					A	B	C	D (HEX)	E	F	
FT15ES02	15,000 psi	H1502	1/8"	1.4	25	25	12.2	12	19	18	15.5
FT15ES04		H1504	1/4"	4	35	35	12.2	16	25	25	20
FT15ES06		H1506	3/8"	5.5	35	35	14	19	25	25	20
FT10ES08	10,000 psi	H1008	1/2"	8.5	45	45	16.3	25.4	31.5	31.5	25
FT20ES04	20,000 psi	H2004	1/4"	2.8	28.5	28.5	13.8	12	19	19	16
FT20ES06		H2006	3/8"	5.2	35	35	14.2	16	25	25	20
FT20ES09		H2009	9/16"	7.9	45	45	19.3	22	31.5	31.5	25
FT20ES12		H2012	3/4"	13	57	57	19.3	28	38	38	35
FT20ES16		H2016	1"	17.5	76	76	21.7	35	52.5	52.5	45
FT30ES02	30,000 psi	H3002	1/8"	1.16	28	28	8.7	13	19	19	20
FT30ES16		H3016	1"	11.1	76	76	21.7	35	52.5	52.5	45
FT60ES04		H6004	1/4"	2.4	35	35	12.83	16	22.5	22.5	25
FT60ES06	60,000 psi	H6006	3/8"	3.2	38	45	18.6	20	25	31.5	25
FT60ES09		H6009	9/16"	4.8	47.5	67	21.66	30	28.5	48	38
FT100ES04	100,000 psi	H10004	1/4"	2.4	44.5	44.5	14.4	16	31.5	31.5	25
FT150ES06	150,000 psi	H15006	3/8"	2.4	67	67	18.3	20	45	45	38



[Tee Type]

(Unit : mm)

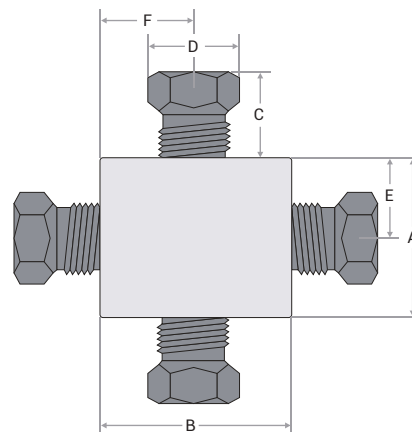
Catalog No.	Pressure Rating	Port Type	Tube Size	Orifice Size	Dimensions						Block Thickness
					A	B	C	D (HEX)	E	F	
FT15TS02	15,000 psi	H1502	1/8"	1.4	25	38	12.2	12	19	19	15.5
FT15TS04		H1504	1/4"	4	35	50	12.2	16	25	25	20
FT15TS06		H1506	3/8"	5.5	35	50	14	19	25	25	20
FT10TS08	10,000 psi	H1008	1/2"	8.5	45	63	16.3	25.4	31.5	31.5	25
FT20TS04	20,000 psi	H2004	1/4"	2.8	28.5	38	13.8	12	19	19	16
FT20TS06		H2006	3/8"	5.2	35	50	14.2	16	25	25	20
FT20TS09		H2009	9/16"	7.9	45	63	19.3	22	31.5	31.5	25
FT20TS12		H2012	3/4"	13	57	76	19.3	28	38	38	35
FT20TS16		H2016	1"	17.5	76	105	21.7	35	52.5	52.5	45
FT30TS02	30,000 psi	H3002	1/8"	1.16	38	28	8.7	13	19	19	20
FT30TS16		H3016	1"	11.1	76	105	21.7	35	52.5	52.5	45
FT60TS04		H6004	1/4"	2.4	35	50	12.83	16	22.5	25	25
FT60TS06	60,000 psi	H6006	3/8"	3.2	40	50	18.6	20	27	25	25
FT60TS09		H6009	9/16"	4.8	54	67	21.66	30	35	33.25	38
FT100TS04	100,000 psi	H10004	1/4"	2.4	63	44.5	14.4	16	31.5	31.5	25
FT150TS06	150,000 psi	H15006	3/8"	2.4	90	67	18.3	20	45	45	38



[Cross Type]

(Unit : mm)

Catalog No.	Pressure Rating	Port Type	Tube Size	Orifice Size	Dimensions						Block Thickness
					A	B	C	D (HEX)	E	F	
FT15CS02	15,000 psi	H1502	1/8"	1.4	38	38	12.2	12	19	19	15.5
FT15CS04		H1504	1/4"	4	50	50	12.2	16	25	25	20
FT15CS06		H1506	3/8"	5.5	50	50	14	19	25	25	20
FT10CS08	10,000 psi	H1008	1/2"	8.5	63	63	16.3	25.4	31.5	31.5	25
FT20CS04	20,000 psi	H2004	1/4"	2.8	38	38	13.8	12	19	19	16
FT20CS06		H2006	3/8"	5.2	50	50	14.2	16	25	25	20
FT20CS09		H2009	9/16"	7.9	63	63	19.3	22	31.5	31.5	25
FT20CS12		H2012	3/4"	13	76	76	19.3	28	38	38	35
FT20CS16		H2016	1"	17.5	105	105	21.7	35	52.5	52.5	45
FT30CS02	30,000 psi	H3002	1/8"	1.16	38	38	8.7	13	19	19	20
FT30CS16		H3016	1"	11.1	105	105	21.7	35	52.5	52.5	45
FT60CS04		H6004	1/4"	2.4	38	50	12.83	16	19	25	25
FT60CS06	60,000 psi	H6006	3/8"	3.2	50	54	18.6	20	25	27	25
FT60CS09		H6009	9/16"	4.8	67	70	21.66	30	33.25	35	38
FT100CS04	100,000 psi	H10004	1/4"	2.4	63	63	14.4	16	31.5	31.5	25
FT150CS06	150,000 psi	H15006	3/8"	2.4	90	90	18.3	20	45	45	38



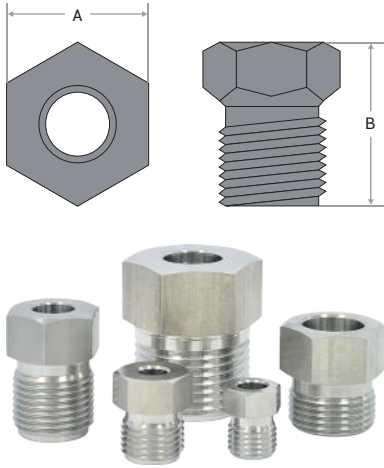
- As all sizes are for reference, they can be changed without any notification.
- Fitting is block, gland and collar(or sleeve) form a set.
- NPT, PT connections are available on request. Please consult the authorized sales representative.

05. High Pressure Fitting Accessory



Fitting & accessory used simple structure design and wear resistant material for high pressure connection

[Gland]



(Unit : mm)

Catalog No.				Pressure Rating	Port Type	Tube Size	Dimensions	
Gland	Sleeve	Collar	Plug				A	B
FA15GS02	FA15SS02		FA15PS02	15,000 psi	H1502	1/8"	12	14.5
FA15GS04	FA15SS04		FA15PS04		H1504	1/4"	16	16
FA15GS06	FA15SS06		FA15PS06		H1506	3/8"	17	19
FA10GS08	FA10SS08		FA10PS08	10,000 psi	H1008	1/2"	25.4	24
FA20GS04		FA20RS04	FA20PS04	20,000 psi	H2004	1/4"	12	16
FA20GS06		FA20RS06	FA20PS06		H2006	3/8"	16	20
FA20GS09		FA20RS09	FA20PS09		H2009	9/16"	22	27
FA20GS12		FA20RS12	FA20PS12		H2012	3/4"	27	28
FA20GS16		FA20RS16	FA20PS16		H2016	1"	36	38
FA30GS02		FA30RS02	FA30PS02		30,000 psi	H3002	1/8"	13
FA30GS16		FA30RS16	FA30PS16	60,000 psi	H3016	1"	36	38
FA60GS04		FA60RS04	FA60PS04		H6004	1/4"	16	20
FA60GS06		FA60RS06	FA60PS06		H6006	3/8"	20	30
FA60GS09		FA60RS09	FA60PS09	H6009	9/16"	30	38	
FA100GS04		FA100RS04	FA100PS04	100,000 psi	H10004	1/4"	16	28
FA100GS06		FA100RS06	FA100PS06	150,000 psi	H10006	3/8"	22	25
FA150GS06		FA150RS06	FA150PS06		H15006	3/8"	20	30

As all sizes are for reference, they can be changed without any notification.

[Sleeve]



15,000 psi	20,000 psi	30,000~60,000 psi
Tubing Gland Sleeve	Nipple Gland Collar	Nipple Gland Collar

[Collar]



I Anti-Vibration Type

(Unit : mm)

Catalog No.				Pressure Rating	Port Type	Tube Size	Dimensions	
Anti - Set	Gland	Collar	Collet				A	B
FA20AS04	FA20GS04-AV	FA20RS04	FA20TS04-AV	20,000 psi	H2004	1/4"	12	16
FA20AS06	FA20GS06-AV	FA20RS06	FA20TS06-AV		H2006	3/8"	16	20
FA20AS09	FA20GS09-AV	FA20RS09	FA20TS09-AV		H2009	9/16"	22	27
FA20AS12	FA20GS12-AV	FA20RS12	FA20TS12-AV		H2012	3/4"	27	28
FA20AS16	FA20GS16-AV	FA20RS16	FA20TS16-AV		H2016	1"	36	38
FA60AS04	FA60GS04-AV	FA60RS04	FA60TS04-AV		60,000 psi	H6004	1/4"	16
FA60AS06	FA60GS06-AV	FA60RS06	FA60TS06-AV	60,000 psi	H6006	3/8"	20	30
FA60AS09	FA60GS09-AV	FA60RS09	FA60TS09-AV		H6009	9/16"	30	38

As all sizes are for reference, they can be changed without any notification.

[Collet]

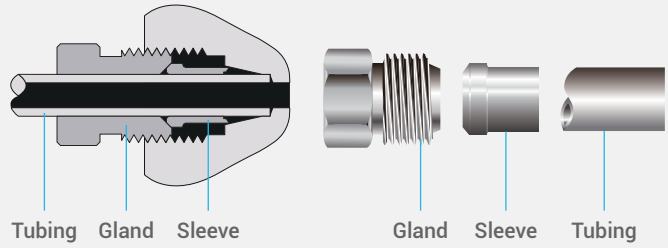


20,000 psi	60,000 psi
Gland Collet Adapter	Gland Collet
Collar Nipple	Collar Nipple

Port Type Low Pressure Port Type

Sleeve Type Connections - 10,000 psi / 15,000 psi

Sleeve Type can be used in 1/8", 1/4", 3/8", 1/2" piping by fastening sleeve in gland. Tube required for connection between products can be ordered from Hiflux. Stainless steel material ensures optimum performance in high pressure environment.

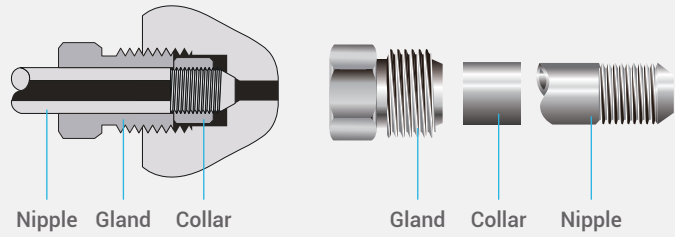


H1008 10,000psi - 1/2"	H1506 15,000psi - 3/8"	H1504 15,000psi - 1/4"	H1502 15,000psi - 1/8"

Port Type Medium Pressure Port Type

Medium Pressure Connections - 20,000 psi

The Nipple required for connection between the products by using Collar and Nipple in the Gland can be ordered by user's desired length. you can also process directly using our Tooling Set tool.

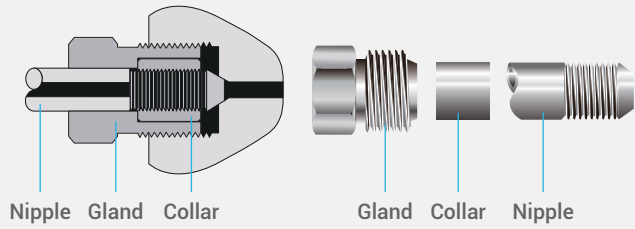


H2004 20,000psi - 1/4"	H2006 20,000psi - 3/8"	H2009 20,000psi - 9/16"	H2012 20,000psi - 3/4"	H2016 20,000psi - 1"

Port Type High Pressure Port Type

High Pressure Connections - 30,000 psi / 60,000 psi

The Nipple required for connection between the products by using Collar and Nipple in the Gland can be ordered by user's desired length. you can also process directly using our Tooling Set tool. This cone and threaded connection is the standard for easy and fast high-pressure equipment configuration with optimum sealing and reliable performance for both liquid and gas at high pressure and temperature.

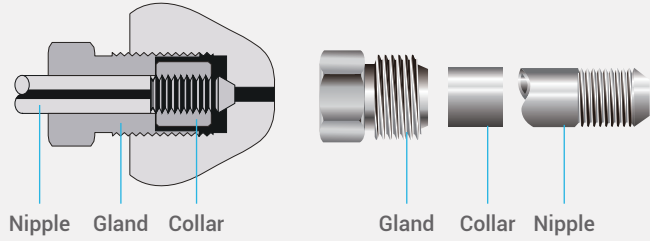


H3002 30,000psi - 1/8"	H3016 30,000psi - 1"	H6004 60,000psi - 1/4" (M : Metric)	H6006 60,000psi - 3/8" (M : Metric)	H6009 60,000psi - 9/16" (M : Metric)

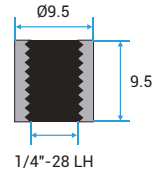
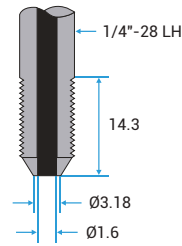
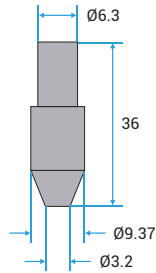
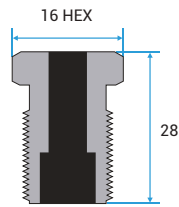
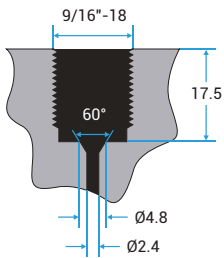
Port Type Ultra High Pressure Port Type

Ultra High Pressure Connections - 100,000 psi

The product is tightened with collar and nipple in Gland. The applicable pipe size is as follows. This cone and threaded connection is the standard for easy and fast high-pressure equipment configuration with optimum sealing and reliable performance for both liquid and gas at high pressure and temperature.



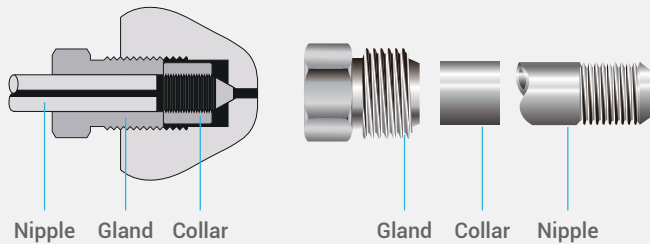
H10004 100,000psi - 1/4"



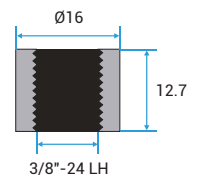
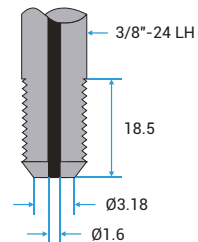
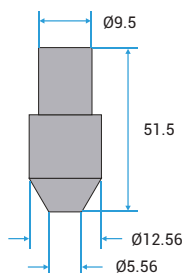
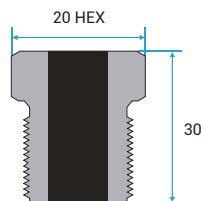
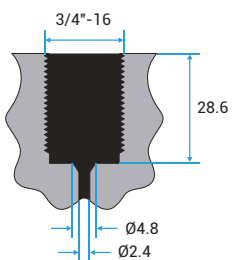
Port Type Ultra High Pressure Port Type

Ultra High Pressure Connections - 150,000 psi

The product is tightened with collar and nipple in Gland. The applicable pipe size is as follows. This cone and threaded connection is the standard for easy and fast high-pressure equipment configuration with optimum sealing and reliable performance for both liquid and gas at high pressure and temperature.



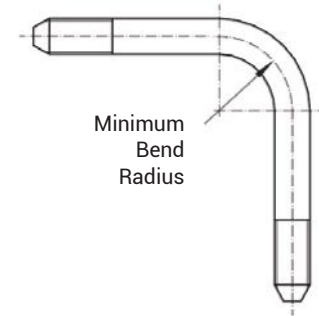
H15006 150,000psi - 3/8"



Technical Information Recommended Torque

[Recommended Minimum Bend Radius]

Tubing Size O.D. x I.D. in. (mm)	Tubing Pressure psi (bar) @ R.T.	Recommended Minimum Bend Radius in. (mm)
1/4 inch (6.35 x 2.77)	20,000 (1,370)	1.25 (31.8)
3/8 inch (9.53 x 5.16)	20,000 (1,370)	1.75 (44.5)
9/16 inch (14.29 x 7.92)	20,000 (1,370)	2.63 (66.8)
3/4 inch (19.05 x 11.13)	20,000 (1,370)	3.50 (88.9)
1 inch (25.4 x 14.27)	20,000 (1,370)	4.63 (117.6)
1 inch (25.4 x 11.13)	30,000 (2,060)	4.63 (117.6)
1/4 inch (6.35 x 2.11)	60,000 (4,130)	1.25 (31.8)
3/8 inch (9.53 x 3.18)	60,000 (4,130)	1.75 (44.5)
9/16 inch (14.29 x 4.78)	60,000 (4,130)	2.63 (66.8)



As all sizes are for reference, they can be changed without any notification.

HIFLUX - Recommended Torque (Valves Minimum Packing Stem Gland Torque)

Valve Pressure Series	Port Type	Tube Size (PSI)	Stem Gland HEX (mm)	Minimum Torque (kg.f-cm)
10,000 PSI 15,000 PSI	H1502	1/8 Inch (15,000)	13	170
	H1504	1/4 Inch (15,000)	17	550
	H1506	3/8 Inch (15,000)	17	550
	H1008	1/2 Inch (10,000)	24	800
20,000 PSI	H2004	1/4 Inch (20,000)	17	550
	H2006	3/8 Inch (20,000)	17	550
	H2009	9/16 Inch (20,000)	22	1100
	H2010	3/4 Inch (20,000)	30	3,500
	H2012	1 Inch (20,000)	41	5,000
30,000 PSI	H3002	1/8 Inch (30,000)	13	500
	H6004	1/4 Inch (30,000)	20	550
	H6006	3/8 Inch (30,000)	20	550
	H6009	9/16 Inch (30,000)	20	550
60,000 PSI	H6004	1/4 Inch (60,000)	20	670
	H6006	3/8 Inch (60,000)	20	670
	H6009	9/16 Inch (60,000)	20	670
100,000 PSI	H10004	1/4 Inch (100,000)	24	1250
150,000 PSI	H15006	3/8 Inch (150,000)	24	1870
10,000 & 15,000 PSI NPT TYPE	HFN02	1/8 Inch (15,000)	13	500
	HFN04	1/4 Inch (15,000)	17	550
	HFN06	3/8 Inch (15,000)	17	550
	HFN08	1/2 Inch (15,000)	22	1100
	HFN10	3/4 Inch (10,000)	41	-
	HFN12	1 Inch (10,000)	41	-

All dimensions and values are for reference only and subject to change.

HiFLUX[®]

HIFLUX Co., LTD

Address. 361-23, Gapcheon-ro, Yuseong-gu, Daejeon, 34037, Republic of Korea
Tel. +82-42-933-5670 Fax. +82-0303-0799-1241 E-mail. sales@hiflux.com
Web Site. www.hiflux.com Shopping Mall. www.hifluxshop.com